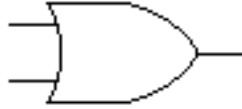
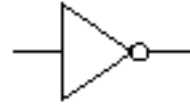


AND gate



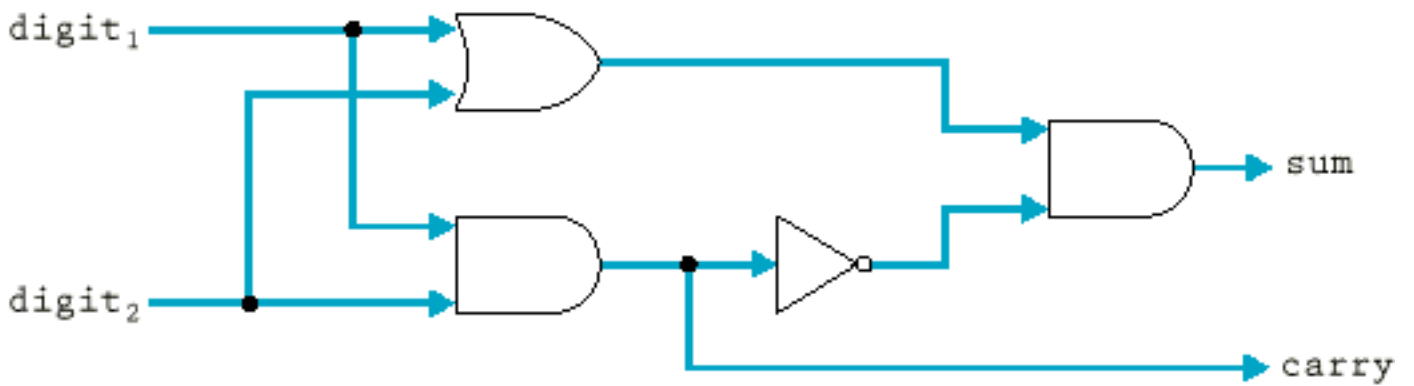
OR gate



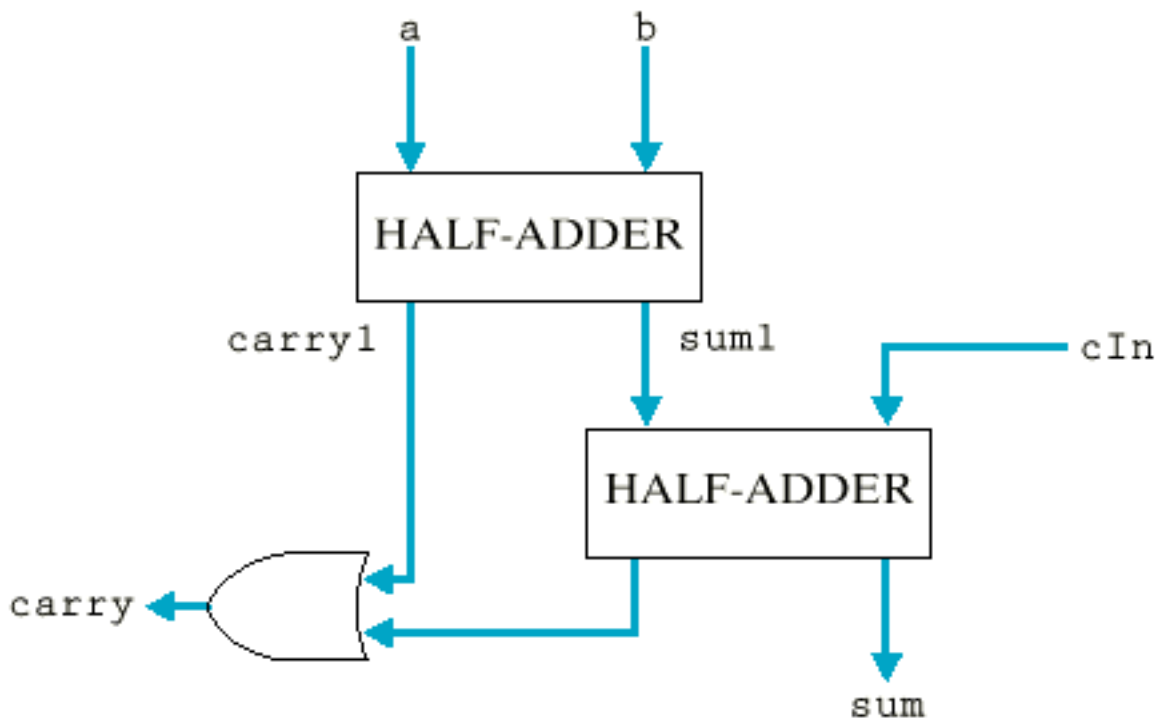
inverter

Basic Electronic Components

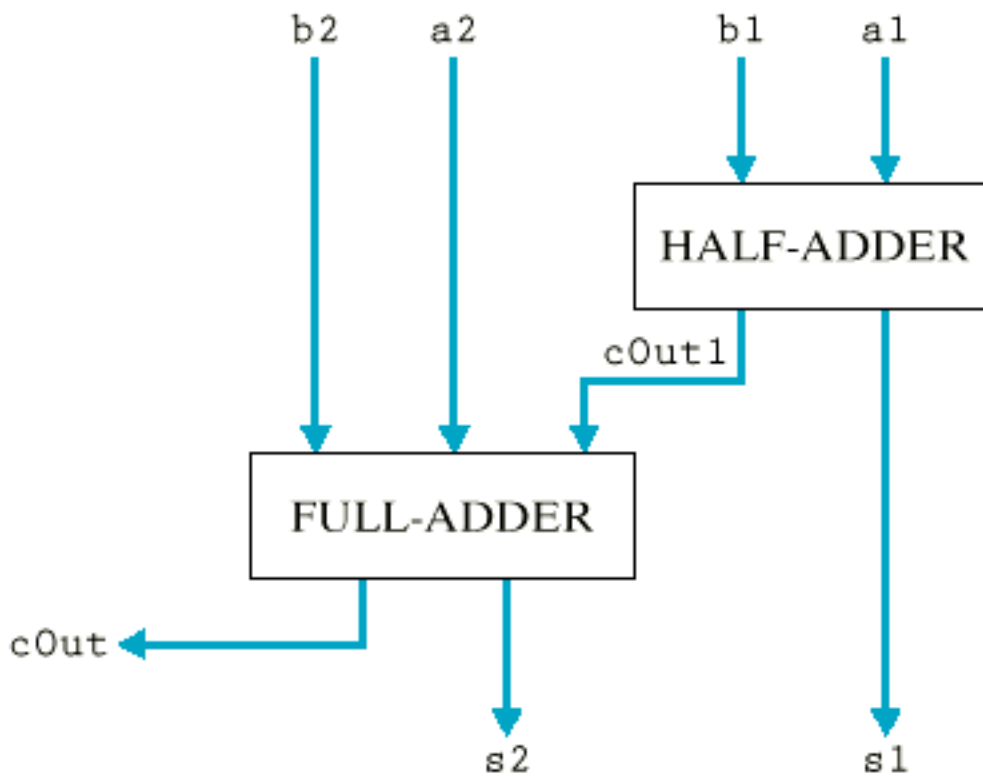
digit1	digit2	carry	sum
0	0	0	0
0	1	0	1
1	0	0	1
1	1	1	0



A Binary Half Adder



A Binary Full Adder



An Adder